

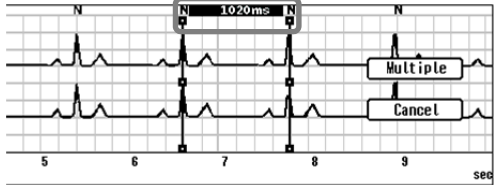
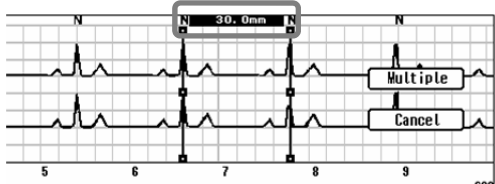
Addendum for DS-8900 System Operation Manual

Thank you for purchasing our product.
 This addendum is for the DS-8900 System Ver.06 Operation Manual (4L011076A).
 The measurement unit for the divider function differs depending on the software version. Please refer to the following for details.

p.9-15 “Chapter 9. Data Review / Recall / Divider Function”

2 Divider Mode Operation

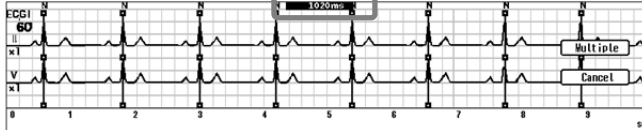
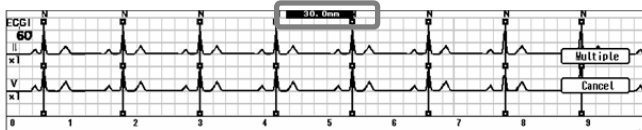
3 When the drag operation is released, the finalized divider end line will be displayed.

<p>For version 06-02 and older</p>	<p>▶ The divider interval will be displayed in “ms” unit.</p> 
<p>For version 06-03 and newer</p>	<p>▶ The divider interval will be displayed in “mm” unit.</p> 

p.9-16 “Chapter 9. Data Review / Recall / Divider Function”

3 [Multiple] Key Operation

1 Clicking the [Multiple] key will continuously display the dividers in equal intervals before and after the current divider.

<p>For version 06-02 and older</p>	 <p>▶ The divider interval (ms) will be displayed at the center of QRS judgment display area. ▶ If the divider interval is less than 200ms, the [Multiple] key will not function.</p>
<p>For version 06-03 and newer</p>	 <p>▶ The divider interval (mm) will be displayed at the center of QRS judgment display area. ▶ If the divider interval is less than 5 mm, the [Multiple] key will not function.</p>

<p>For version 06-02 and older</p>	<p>NOTE</p> <ul style="list-style-type: none"> The data resolution of the divider is 12ms. Adjustment of less than 12ms is not possible.
<p>For version 06-03 and newer</p>	<p>NOTE</p> <ul style="list-style-type: none"> The data resolution of the divider is 0.3 mm. Adjustment of less than 0.3 mm is not possible.